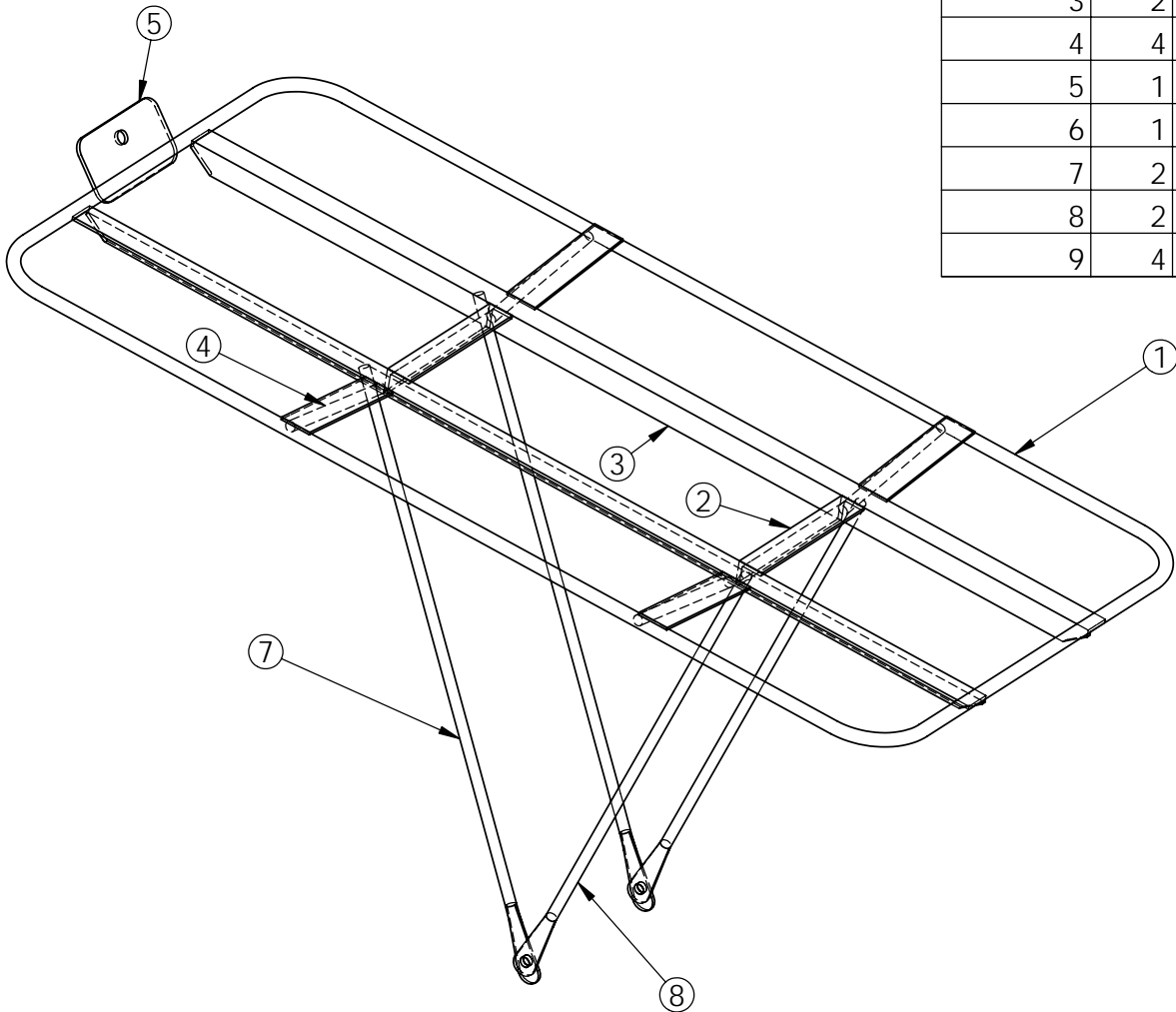

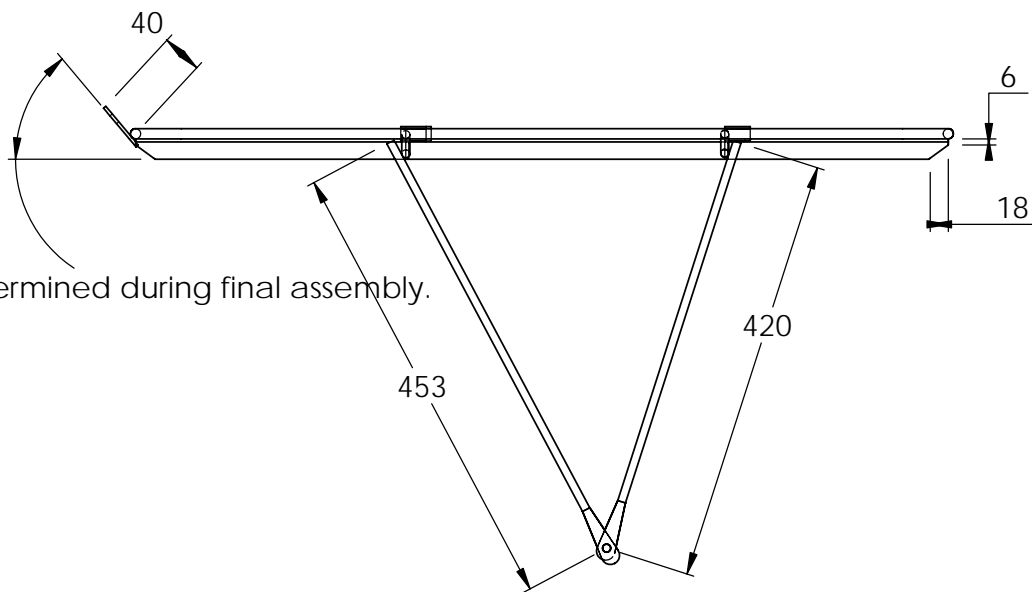
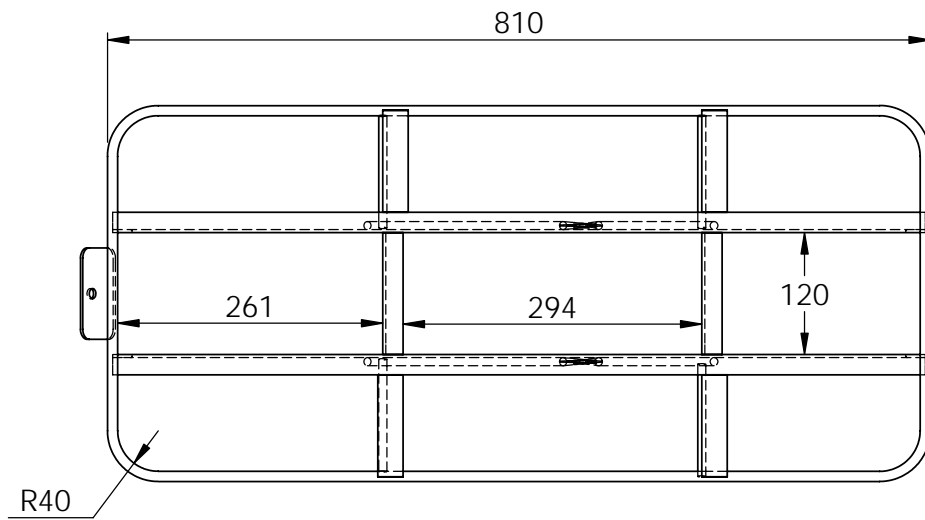


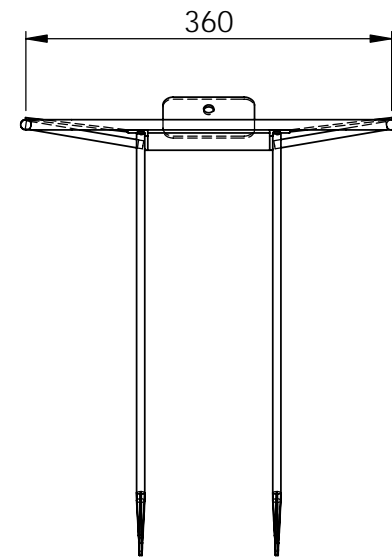
ITEM NO.	QTY.	PART NAME	STOCK SIZE
1	1	rail	BSS 8 x 2224
2	2	crossbeam	Al 25 x 25 x 3 x 120
3	2	longbeam	Al 25 x 25 x 3 x 800
4	4	strut	RB 8 x 112
5	1	topclamp	FB 50 x 3 x 90
6	1	topclampbackplate	FB 50 x 3 x 90
7	2	backstayfront	RB 8 x 470
8	2	backstayrear	RB 8 x 435
9	4	capstrip	




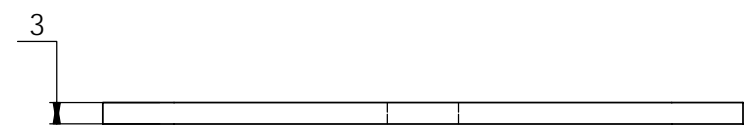
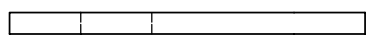
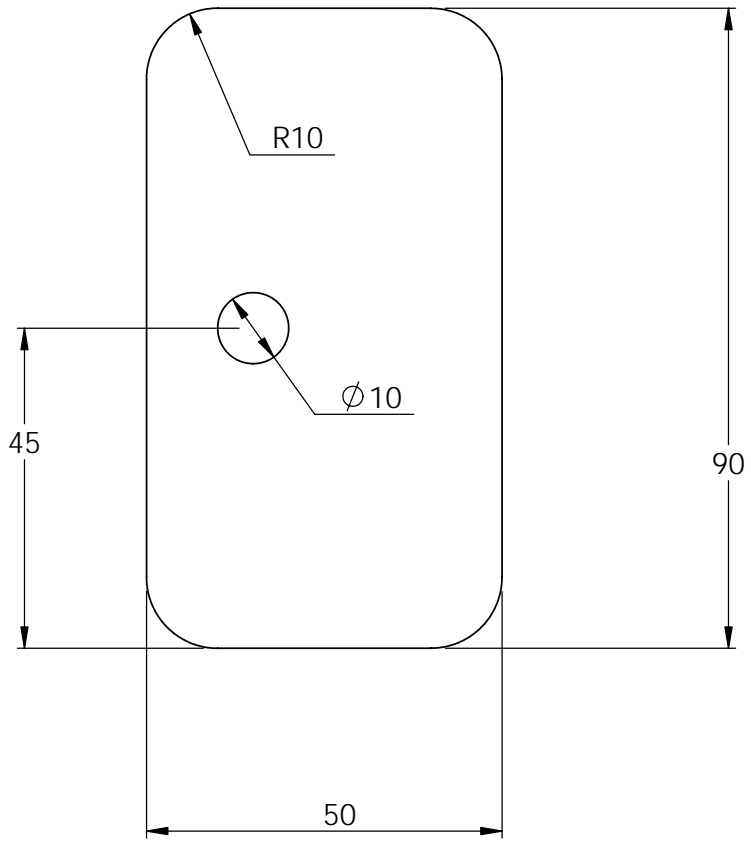
 <b>Long Tail</b> 1678 Shattuck Avenue PMB 42 Berkeley California USA	Drawn By AF 2/25/02	TITLE <b>Deck</b>		Revised 4/11/02
		PAGE 1 OF 3	A4 SCALE 1:2	Obsolete <input type="checkbox"/>




NB: Angle determined during final assembly.



 <b>Long Tail</b> 1678 Shattuck Avenue PMB 42 Berkeley California USA	TITLE <b>Deck</b>		
	Drawn By AF 25/2/02	PAGE 2 OF 3	A4 SCALE 1:7



 <b>Long Tail</b>	<u>TITLE</u>		
	<b>Deck - Top Clamp</b>		
1678 Shattuck Avenue PMB 42 Berkeley California USA	<u>Drawn By</u> AF 25/2/02	<u>PAGE 3</u> <u>OF 3</u>	<u>A4 SCALE</u> 1:1