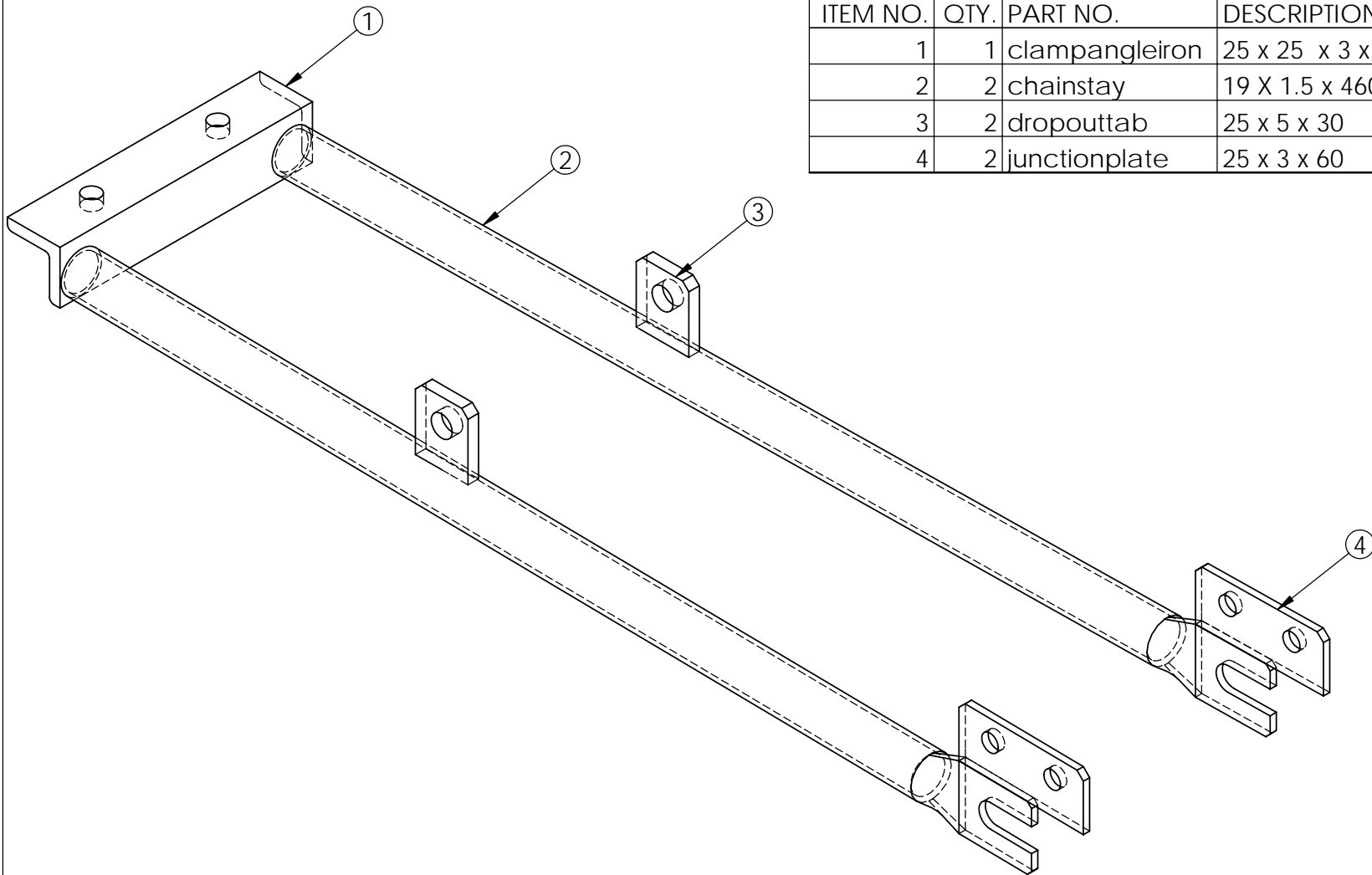
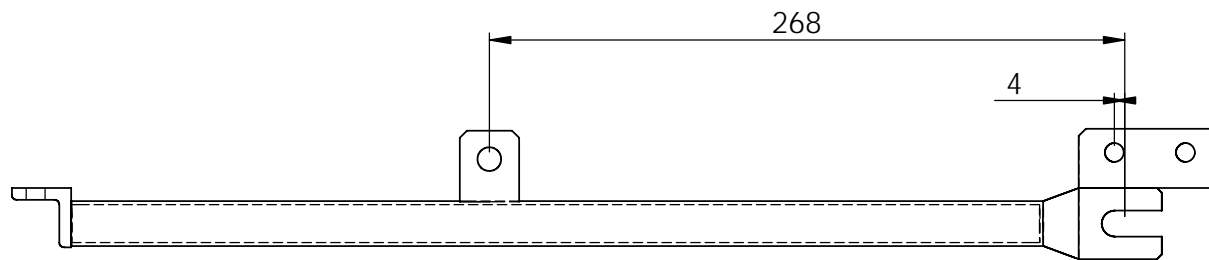
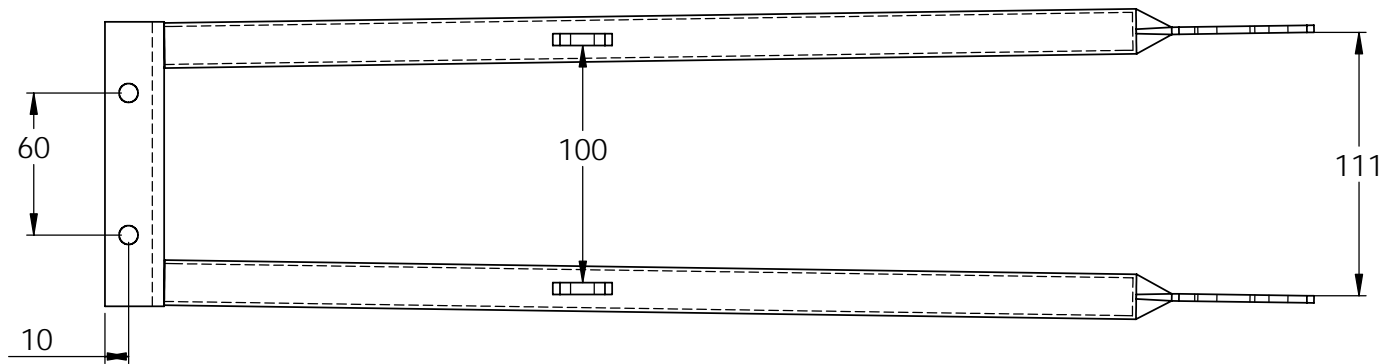


ITEM NO.	QTY.	PART NO.	DESCRIPTION
1	1	clampangleiron	25 x 25 x 3 x 120
2	2	chainstay	19 X 1.5 x 460
3	2	dropouttab	25 x 5 x 30
4	2	junctionplate	25 x 3 x 60



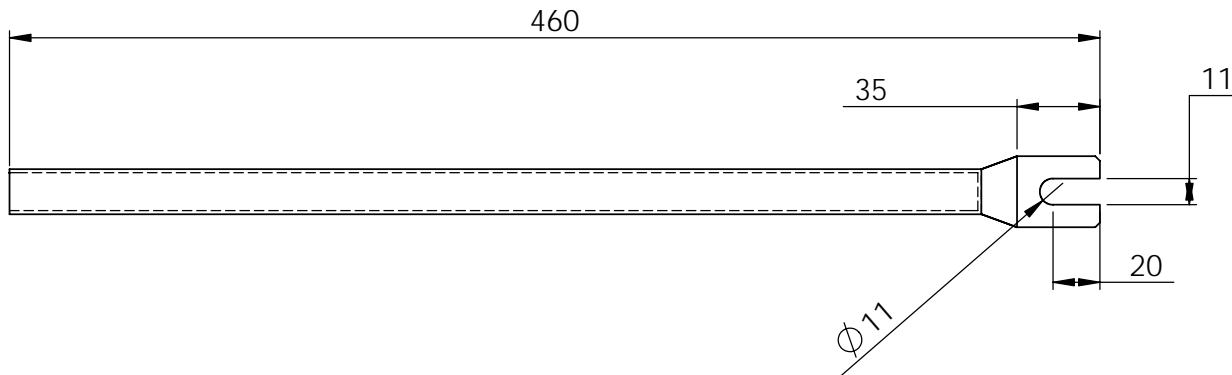
<b>Long Tail</b> 1678 Shattuck Avenue PMB 42 Berkeley California USA		Title <b>Lower Frame - BOM</b>	Page 1 of 5
		Drawn By AF	Scale 1:2
		FileName lowerframe	



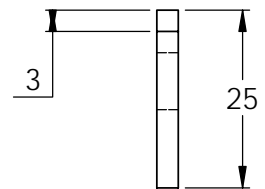
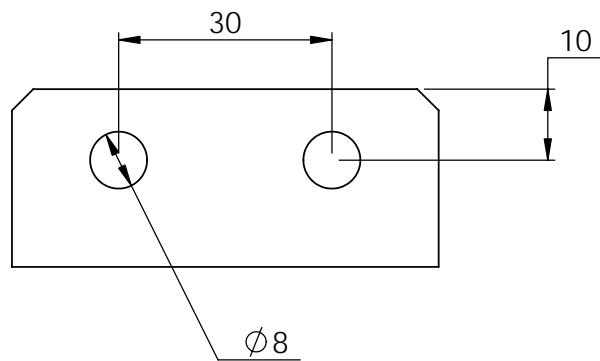
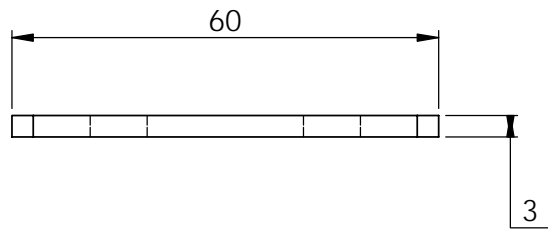
<p><b>Long Tail</b></p> <p>1678 Shattuck Avenue PMB 42 Berkeley California USA</p>		<p><u>TITLE</u></p> <p><b>Lower Frame - Lay Out</b></p>	
		<p><u>Drawn By</u></p> <p>AF 27/2/02</p>	
<p><u>PAGE:</u> 2</p>		<p><u>OF:</u> 5</p>	
<p><u>A4 SCALE</u> 1:3</p>			



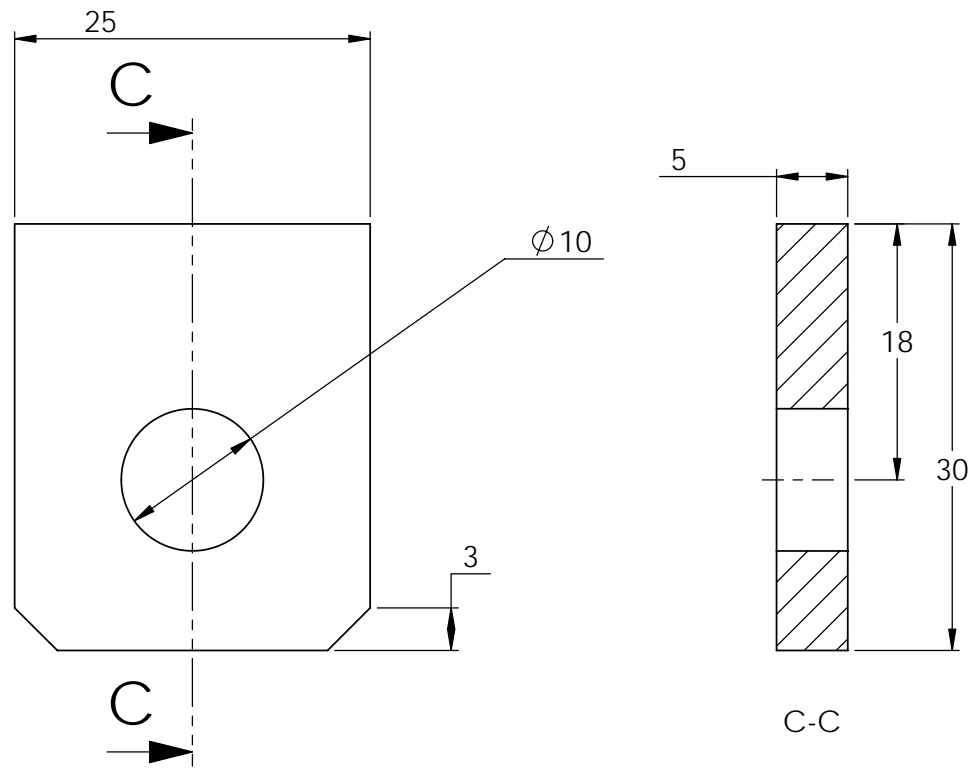
Create dropout flat by crushing pipe in vise .



<b>Long Tail</b>		<b>Lower Frame - Chain Stay</b>	
1678 Shattuck Avenue PMB 42 Berkeley California USA	Drawn By AF 27/2/02	PAGE: 3 OF: 5	A4 SCALE 1:3



<b>Long Tail</b>		<small>TITLE</small> <b>Lower Frame - Junction Plate</b>	
1678 Shattuck Avenue PMB 42 Berkeley California USA		Drawn By AF 27/2/02	
<u>PAGE 4</u>		<u>OF 5</u> <u>A4 SCALE</u> 1:1	



<b>Long Tail</b>		<u>TITLE</u> <b>Lower Frame - Dropout Tab</b>	
1678 Shattuck Avenue PMB 42 Berkeley California USA		Drawn By AF 1/3/02	
		PAGE: 5	OF: 5
		A4 SCALE 2:1	